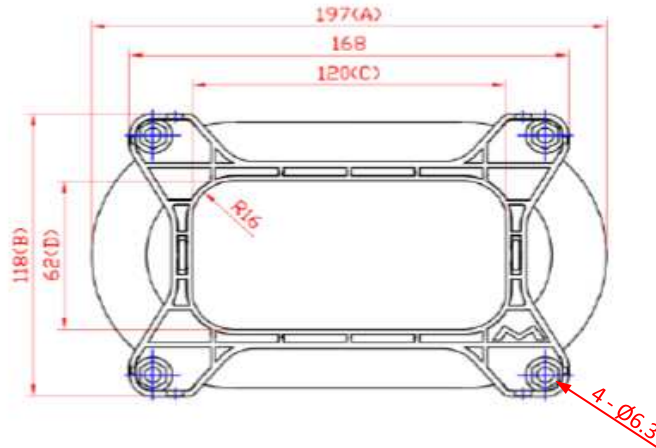


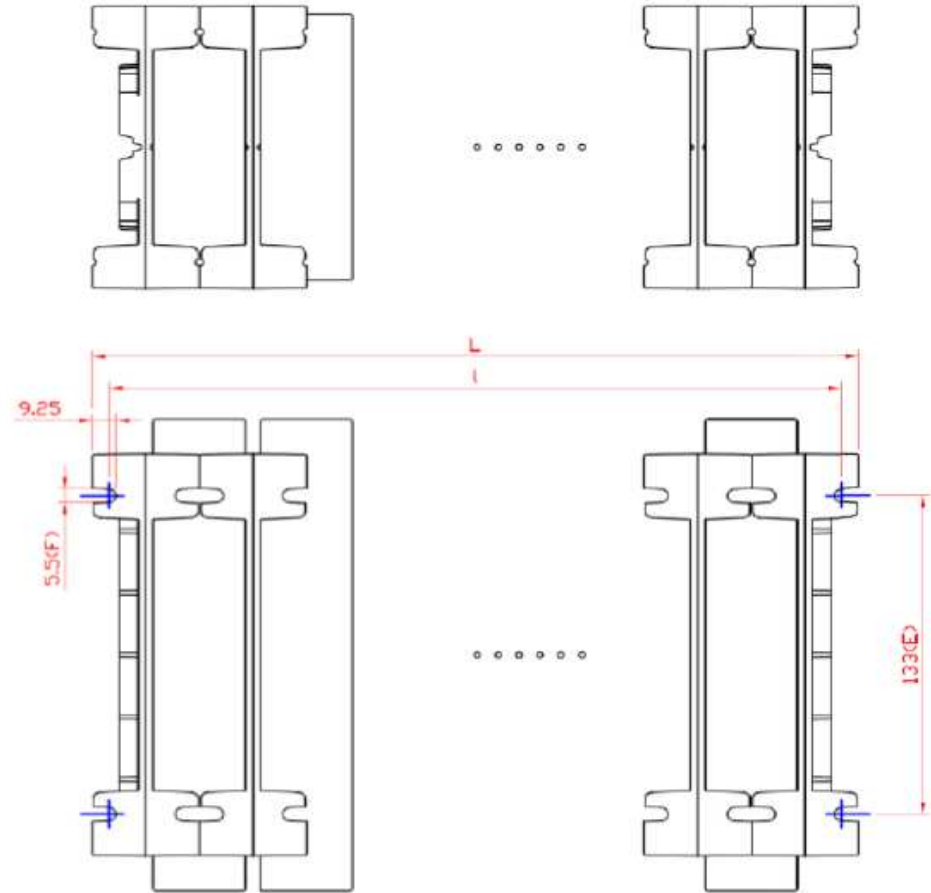
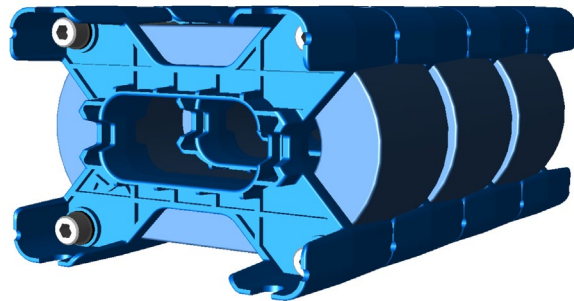
BRO155HP101-428

REV	DATE	DESCRIPTION	BY
-	2020/04/09	INITIAL ISSUE	dr
01	2023/03/07	Added hole threaded rod hole diamter & Note 2 &3.	dr



NOTE:

1. $L = 41 \times (X+1)$;
2. $I = L - 13$;



Note:

1. Brackets are sold by each. For a 4 core stack, 5 brackets are required.
2. Brackets do not include threaded rod and hardware.
3. Typical applications require 4 cores not 3 as shown.

Dimensions in mm

Tolerances: Per Drawing	Country of Origin: China	BRACKET OVAL 155HP101-428 CORE
Bracket Material: PA6/6 20%GF V0, RAL5012 (BLUE)	UL File: E215781	
MH&W International Corp Phone 201-891-8800 Email: sales@mhw-intl.com	UL Rec: 94-V0	Drawing Number: BRO155HP101-428
	MF-9160	Part Number: BRO155HP101-428