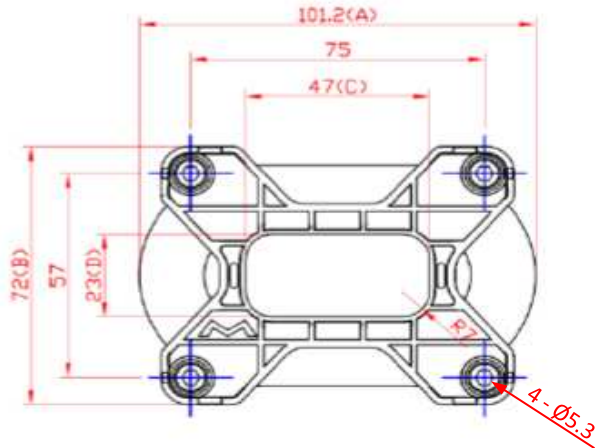


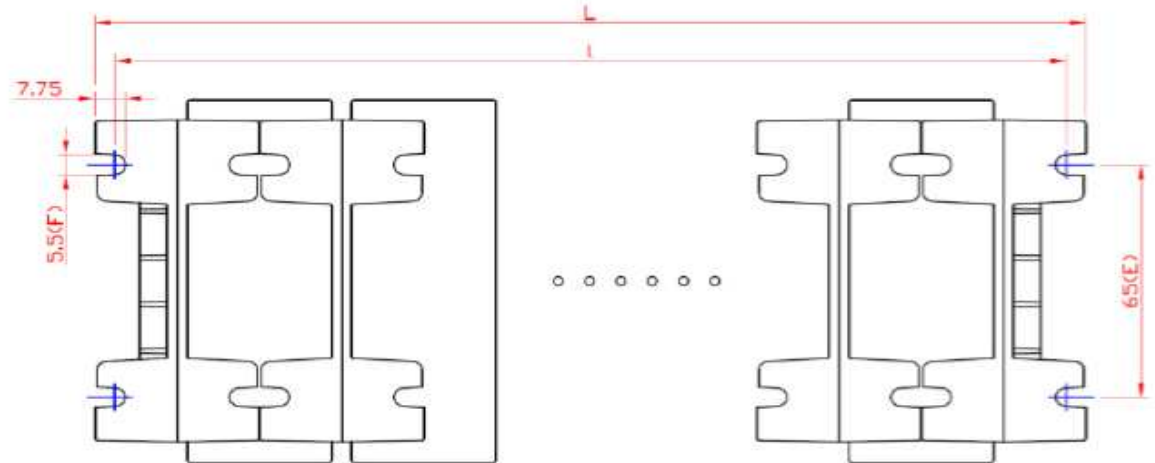
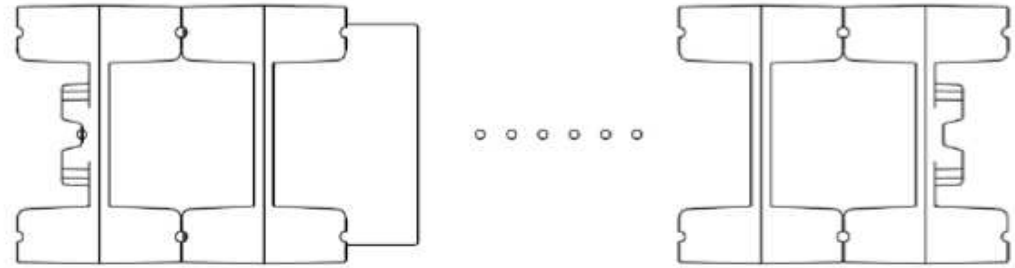
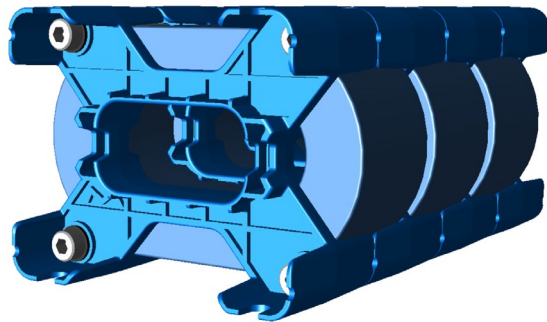
# BRO68HP51-100

REV	DATE	DESCRIPTION	BY
-	2022/01/11	INITIAL ISSUE	dr
01	2023/03/07	Added hole threaded rod hole diamter & Note 2 &3.	dr



**NOTE:**

1.  $L = 41 \times (X+1)$ ;
2.  $I = L - 10$ ;



**Note:**

1. Brackets are sold by each. For a 4 core stack, 5 brackets are required.
2. Brackets do not include threaded rod and hardware.
3. Typical applications require 4 cores not 3 as shown.

Dimensions in mm

Tolerances: Per Drawing	Country of Origin: China	<b>BRACKET OVAL 68HP51-100 CORE</b>
Bracket Material: PA6/6 20%GF V0, RAL5012 (BLUE)	UL File: E215781	
MH&W International Corp Phone 201-891-8800 Email: sales@mhw-intl.com	UL Rec: 94-V0	Drawing Number: BRO68HP51-100
	MF-9080	Part Number: BRO68HP51-100