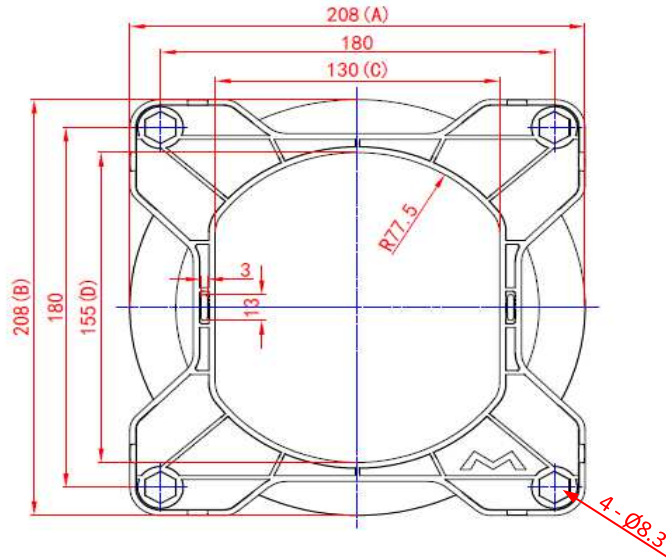
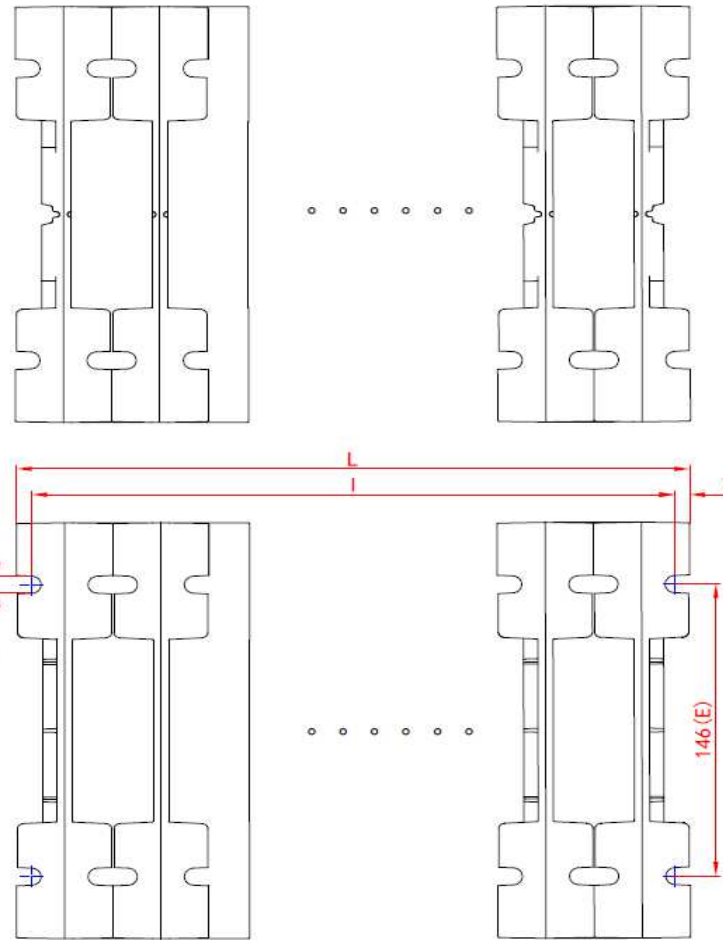


BRR166HP429-1631

| REV | DATE | DESCRIPTION | BY |
|-----|------------|---|----|
| - | 2022/01/11 | INITIAL ISSUE | dr |
| 01 | 2023/03/07 | Added hole threaded rod hole diamter & Note 2 &3. | dr |

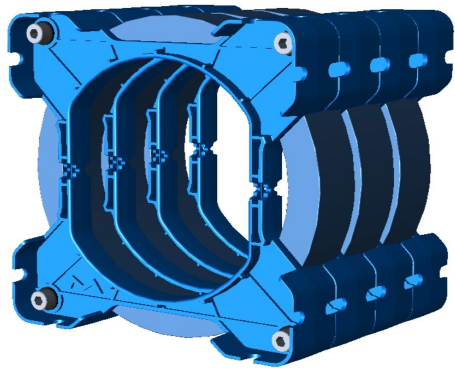


- NOTE:
- $L = 42 \times (X + 1)$
 - $I = L - 14$



Note:

1. Brackets are sold by each. For a 4 core stack, 5 brackets are required.
2. Brackets do not include threaded rod and hardware.
3. Typical applications require 4 cores not 3 as shown.



Dimensions in mm

| | | |
|---|--------------------------|---|
| Tolerances: Per Drawing | Country of Origin: China | BRACKET ROUND 166HP429-1631 CORE |
| Bracket Material: PA6/6 20%GF V0, RAL5012 (BLUE) | UL File: E215781 | |
| MH&W International Corp Phone 201-891-8800 Email: sales@mhw-intl.com | UL Rec: 94-V0 | Drawing Number: BRR166HP429-1631 |
| | MF-8200 | Part Number: BRR166HP429-1631 |