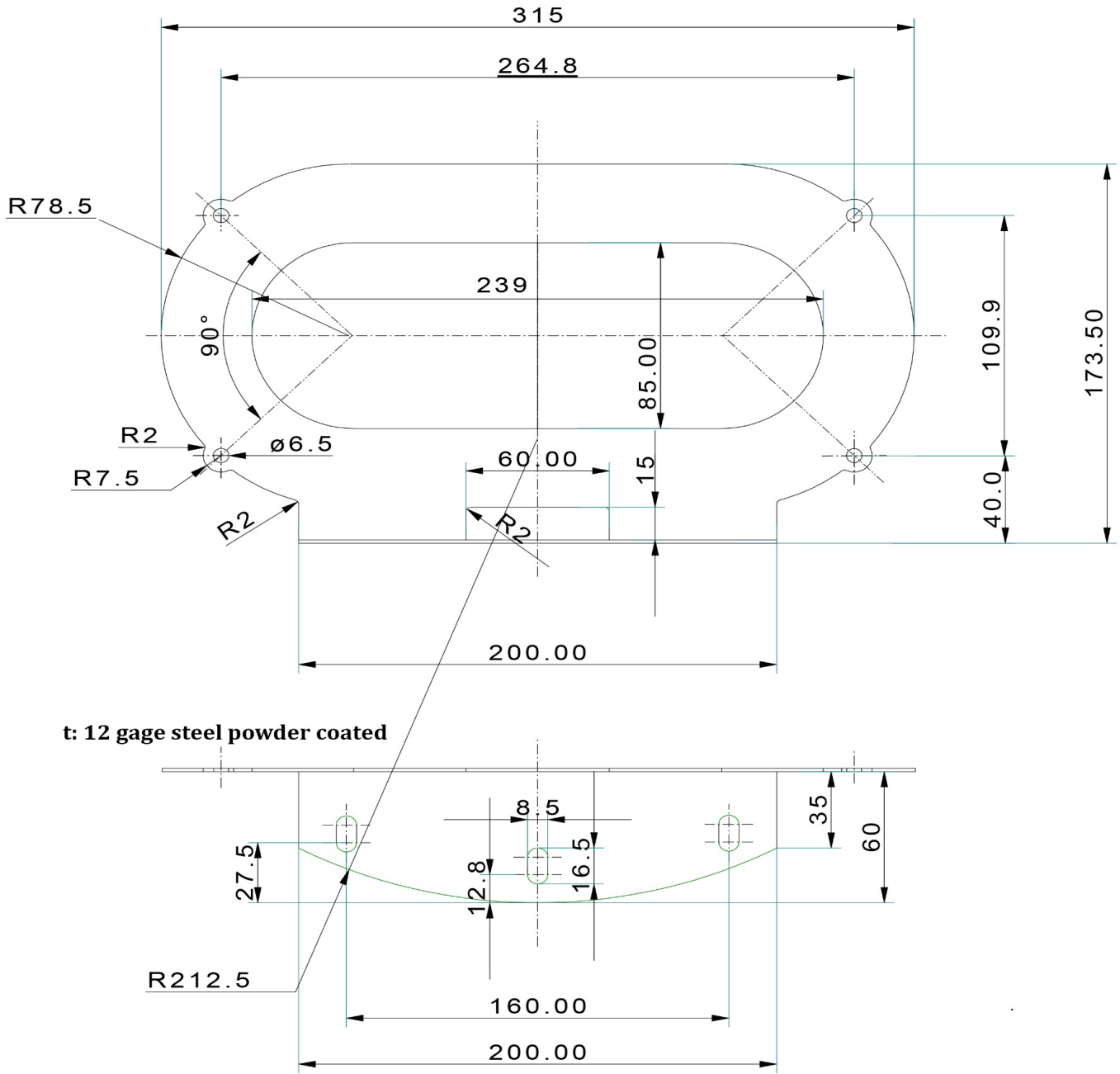


BRSO249HP429-1631

Revisions	Date	Description	By
-	2022/01/20	INITIAL ISSUE	dr



NOTES:

1. ALL EDGES TO BE FREE OF BURS
2. TOLERANCES +/- 0.127 UNLESS OTHERWISE STATED.

Dimensions in mm	Formerly MS-111-PE	Drawing Number: BRSO249HP429-1631	
Clamp Material: HRPO-CQ steel 12 gage		Country of Origin: U.S.A.	
MH&W International Corp		Finish: Powdercoat Polyester	TCI 9510-91410
Phone 201-891-8800 Email: sales@mhw-intl.com		Part Number: BRSO249HP429-1631	